



The Legacy Companies  
 3355 Enterprise Avenue, Suite 160, Fort Lauderdale, FL 33331  
 Sales: (954) 202-7419 • Sales@TheLegacyCompanies.com  
 Tech Service: (877) 368-2797 • Service@MaxxHelp.com

Project Name: \_\_\_\_\_

Location: \_\_\_\_\_

Item #: \_\_\_\_\_ Qty: \_\_\_\_\_

Model: \_\_\_\_\_

www.MaximumFoodService.com

# 85lb SELF CONTAINED ICE MAKER (w/ Integrated Ice Bin)

Model:  MIM85H

International Model: Add -50 (220V/50Hz/1Ph)  
 or -60 (220V/60Hz/1Ph)



**Half Slab Ice Cubes**  
 Inches: 7/8 x 7/8 x 3/8  
 mm: 22.2 x 22.2 x 9.5mm

Self contained ice maker for freestanding or built in undercounter applications. Can produce up to 88 pounds of ice per day (under the right conditions). Includes an integrated 25 pound storage bin with lift up insulated plastic cover. Stainless steel construction provides durability to a unit that is low-maintenance and easy to clean. Front breathing design provides cooling air to the condensing unit. Vertical evaporator and proven ice making technology assures years of reliable ice production. The MIM85H comes with a NEMA 5-15 cord set so it's installation only requires the hookup of a water supply and drain.

### ICE PRODUCTION

Air Temp 70°F (21°C)	Water Temp 50°F (10°C)
Daily Ice Production:	88 lbs (40kg)
Energy Consumption	11.96Kw/100lb of ice produced
Water Usage	21 gallon/100lb of ice produced

Air Temp 90°F (32°C)	Water Temp 70°F (21°C)
Daily Ice Production:	56 lbs (31kg)

Storage Bin holds 25lbs of ice with automatic overflow prevention  
 Gravity Drain connection is required, along with a water supply line.

### OPERATING REQUIREMENTS

Ambient Temperature Range	50° to 99°F (10° to 37°C)		
Water Temperature Range	40° to 90°F (4° to 32°C)		
Water Supply Line Connection	3/8" FPT		
Water Pressure Range			
Min PSI	15	Max PSI	75 (above 75 requires a regulator)
Min Bar	1.0	Max Bar	5.5

### FEATURES and CONSTRUCTION

- Exterior Material: Stainless Steel with Black Trim
  - Air Cooled Compressor
  - Programmable, solid state, digital electronic control system.
  - Built-In Self Cleaning Mode for use with nickel safe cleaning solution
  - Includes: Scoop  
 Tubing for Supply and Drain Lines  
 NEMA 5-15 cord set for simple installation
- \*A Water filter is recommended for a more efficient operation with less required maintenance and cleaning.  
 \* 3<sup>rd</sup> Party Approvals: ANSI NSF 12, ANSI UL 563 & DOE2017

### REFRIGERANT

- CFC & HCFC free R-134A

### ELECTRIC

120V/60Hz/1 Ph (NEMA 5-15P)  
 (220V/50 or 60Hz/1ph available as an option)



**Intertek**  
 Certified to  
 ANSI-NSF 12



**Intertek**  
 Certified to  
 ANSI UL 563



### Maxx Ice WARRANTY (USA / CANADA)

- One (1) year parts
- One (1) year on-site labor
- Five (5) years compressor (part only)
- Administered by The Legacy Companies, 877.368.2797

Due to periodic changes in designs, methods, procedures, policies and regulations, the specifications contained in this sheet are subject to change without notice. While we exercise good faith efforts to provide information that is accurate, we are not responsible for errors or omissions in information provided or conclusions reached as a result of using the specifications. By using the information provided, the user assumes all risks in connection with such use.

The built in performance enhancing functions ensure that given proper attention and preventative maintenance, each Maxx Product will deliver years of trouble free, reliable, low maintenance, efficient operation.

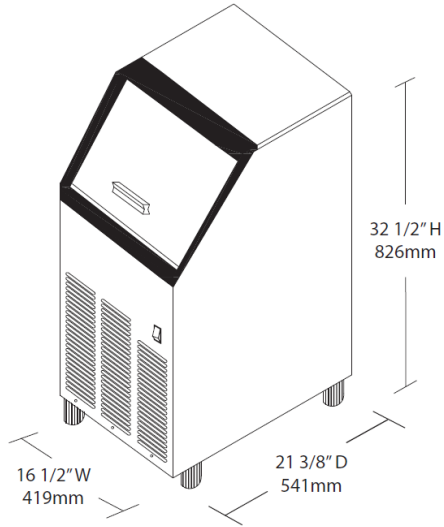


The Legacy Companies  
 3355 Enterprise Avenue, Suite 160, Fort Lauderdale, FL 33331  
 Sales: (954) 202-7419 • Sales@TheLegacyCompanies.com  
 Tech Service: (877) 368-2797 • Service@MaxxHelp.com

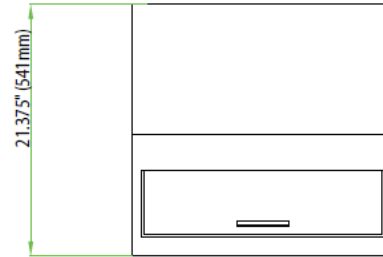
Project Name: \_\_\_\_\_  
 Location: \_\_\_\_\_  
 Item #: \_\_\_\_\_ Qty: \_\_\_\_\_  
 Model: \_\_\_\_\_

www.MaximumFoodService.com

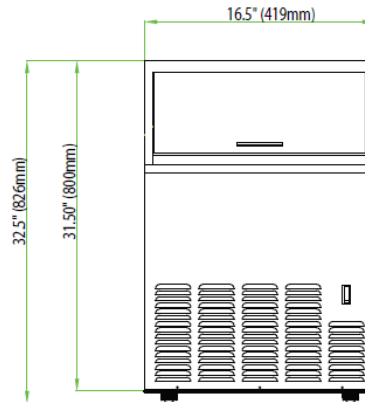
# 851b SELF CONTAINED ICE MAKER (w/ Integrated Ice Bin)



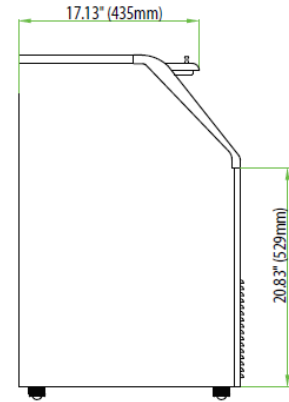
Top View



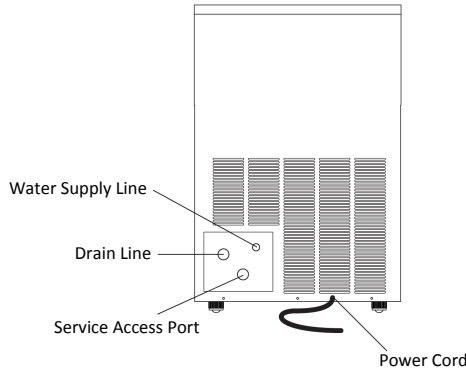
Front View



Side View



Back View



MIM85H	
In: External Dimensions W x D x H	16.5 x 21.375 x 32 .5
mm: External Dimensions W x D x H	419 x 541 x 826
<b>Electrical Amp Draw</b>	
120V	11.3 max (normal or nominal draw 6.4 amps)
220V	6.3 max (normal or nominal draw 3.5 amps)
<b>Unit Weight</b>	93 lb / 42kg
<b>Shipping Weight</b>	104 lb / 47 kg
<b>Production based on ambient conditions</b>	
50°F Water / 70°F Air	Up to 88 lbs of ice/day
70°F Water / 90°F Air	Up to 56 lbs of ice/day
<b>Ice Cube Produced</b>	Half Size Slab Cube

Due to periodic changes in designs, methods, procedures, policies and regulations, the specifications contained in this sheet are subject to change without notice. While we exercise good faith efforts to provide information that is accurate, we are not responsible for errors or omissions in information provided or conclusions reached as a result of using the specifications. By using the information provided, the user assumes all risks in connection with such use.